

Safety Technology  
International

Product Catalog

Distributed by  
[www.Ameraproducts.com](http://www.Ameraproducts.com)  
Phone: (800) 608-6548  
Fax: (407) 840-5545  
[info@ameraproducts.com](mailto:info@ameraproducts.com)



It all started with  
The Original Stopper®

## ABOUT STI

# It all started with a solution to a challenge

### Who We Are

Family owned and operated for over 40 years, we take great pride in STI's products and exemplary service. Our entire team works just as hard to make you a satisfied customer as we do to make the world a safer place, one product at a time.

### What We Do

STI manufactures protective polycarbonate covers, enclosures, push buttons, wire cages and wireless alarms to help prevent theft and vandalism to important fire and safety devices. Covers and cages protect: detectors, lights, manual pull stations, and much more. Alarms protect: fire extinguishers, exit doors, etc. Many options and variations of products are available to protect the things that protect you.

### Where We Came From

The STI story begins over four decades ago with a challenge made by a suburban Detroit school administrator who wanted to stop false fire alarms. Our Founder, Jack Taylor, used his expertise in security systems to invent the original Stopper® pull station protector. Today, STI has hundreds of innovative products that help make homes, businesses and workplaces around the world safe, smart and secure.

Rely on STI!®



## TABLE OF CONTENTS

### FIRE & SAFETY

Stopper II®	5
Universal Stopper®	5
Horn/Strobe/Damage Stopper®	6
Stopper® Dome	6
Horn/Strobe/Speaker	
Damage Stopper®	6

### ENCLOSURES

EnviroArmour® Waterproof Enclosures	8
Metal Protective Enclosures with AC/Heat	12
Heated Polycarbonate Enclosure	12
Stopper® Heated Enclosures	12
Universal Stopper® Dome and Low Profile	14
Polycarbonate Enclosures	16
Metal Protective Enclosures	16
MED Protective Enclosures	17
Bopper Stoppers®	17
Single-Gang Protective Cover	17
LED Display Cover	17

### WIRE GUARDS

Smoke Detector Cages	19
Exit Sign Damage Stopper®	20
Clock/Bell Damage Stopper®	20
Light Damage Stopper®	20
Motion Detector Damage Stopper®	20
Expandable Cage	21
Speaker Cage	21
Custom Cages	21

### BUTTONS & SWITCHES

Stopper® Stations	23
NoTouch® IR Switches	24
Universal Button	25
Universal Pneumatic Button	25
Global ReSet	26

### WIRELESS PRODUCTS

Wireless Entry Alert®	28
Wireless Motion-Activated Transmitter	28
Wireless Doorbell Chime	28

### ALARMS & ALERTS

Exit Stopper®	30
Fire Extinguisher Theft Stopper®	30
Select-Alert Alarms	31

Distributed by  
[www.AmeraProducts.com](http://www.AmeraProducts.com)  
Phone: (800) 608-6548  
Fax: (409) 840-5541  
[info@ameraproducts.com](mailto:info@ameraproducts.com)

## FIRE & SAFETY

# Universal Stopper<sup>®</sup>



### DESIGN

Protective cover with horn. Prevents false fire alarms, without hindering legitimate operation of a manual pull station in the event of an emergency.

### INSTALLATION

Quick and easy protection in minutes. Can accommodate flush or surface mount applications. Gaskets included.

### ELECTRONICS

95/105 dB self-contained alarm draws immediate attention to the area. Available with or without horn, powered by an included battery.

Low profile models with a horn (STI-14000 series) flash and sound.

### CONSTRUCTION

Tough, clear UV-stabilized polycarbonate material. Housing can take the severest knocks preventing vandalism or accidental damage to the manual pull station.



Indoor/outdoor polycarbonate cover helps stop false fire alarms without restricting legitimate operation of pull stations. It is ideal for schools, hospitals, nursing homes, stores, hotels and public buildings of almost every kind.



FIRE &  
SAFETY

ENCLOSURES

WIRE  
GUARDS

BUTTONS &  
SWITCHES

WIRELESS  
PRODUCTS

ALARMS &  
ALERTS



1



2



3

### 1. Stopper II®

Protective cover prevents false fire alarms. Does not restrict legitimate access. Self-contained alarm.

- STI-1100 Horn, Flush
- STI-1130 Horn, Surface
- STI-1200 Flush
- STI-1230 Surface

### 2. Universal Stopper®

Indoor/outdoor cover protects pull stations, push buttons and more.

- STI-13010FR Flush
- STI-13020FR Horn, Flush
- STI-13210FR Surface
- STI-13220FR Horn, Surface

### 3. Universal Stopper® Low Profile

Indoor/outdoor protective cover flashes and sounds when lifted. Protects pull stations, push buttons and more.

- STI-14320FR Horn, Enclosed Flush Back Box
- STI-14420FR Horn, Encl. Back Box, Sealed Mounting Plate
- STI-14520FR Horn, Encl. Back Box, Open Mounting Plate

Stopper II & Weather Stopper® 6-Packs available.  
Call for information.





1



2



3



4

### 1. Horn/Strobe Damage Stopper®

Polycarbonate cover, slotted for horn and/or strobe appliances.

*STI-1210D  
Open Back Box, Conduit  
Knockout*

*STI-1210A  
Encl. Back Box, 4" Deep*

*STI-1210B  
Encl. Back Box,  
Double-Gang Outlet Box*

*STI-1210C  
Open Back  
Box, External  
Mounting Tabs*

*STI-1210E  
Open Back Box,  
Flush*

### 2. Strobe Damage Stopper®

Enhanced chemical resistance polycarbonate cover. Solid for strobe only. Type 4X.

*STI-1221A4X-WD  
Enclosed Back Box*

*STI-1229-WD  
Dome, Enclosed Back Box*

### 3. Stopper® Dome

Polycarbonate cover slotted for horn/strobe or speaker/strobe units.

*STI-1215  
Flush Mount*

*STI-1217  
Open Back Box*

*STI-1219  
Enclosed Back Box*

### 4. Horn/Strobe/Speaker Damage Stopper®

Wire guard provides protection for System Sensor SpectrAlert® series notification appliances.

*STI-9705  
Flush Mount, White*

*STI-9705-R  
Flush Mount, Red*

*STI-9708  
Surface Mount, White*

*STI-9708-R  
Surface Mount, Red*



## ENCLOSURES

# EnviroArmour® Enclosures

### DESIGN

Enclosures protect against vandalism and accidental damage, weather, dirt, dust and grime.

Door: removable, lockable, screw-down, has a draw-down latch.



### OPTIONS

Many sizes available.  
Lockable. Mounting plates available.

### ELECTRONICS

A/C with heat, pressure compensation vents, filter fans, and drain vents available.

### CONSTRUCTION

Non-metallic. Tough polycarbonate or fiberglass. UV resistant.



STI's non-metallic EnviroArmour Enclosures are lockable and help protect from weather, vandalism, tampering and theft.



Distributed by  
[www.Ameraproducts.com](http://www.Ameraproducts.com)  
Phone: (800) 608-6548  
Fax: (409) 840-3541  
[info@ameraproducts.com](mailto:info@ameraproducts.com)



1



2



c UL US

shown with optional power distribution 3



Distributed by  
[www.Ameraproducts.com](http://www.Ameraproducts.com)  
 Phone: (800) 608-6548  
 Fax: (409) 840-5545  
[info@ameraproducts.com](mailto:info@ameraproducts.com)

### 1. EnviroArmour® with AC/Heat

Waterproof enclosures. 120VAC, 60Hz A/C and heater unit. Rated UL50 Type 3R, 4, 4X, 6P, 12, IP66. Three sizes and two door options.

- EP242410-\* Polycarbonate
- EF181610-\* Fiberglass
- EF201610-\* Fiberglass

- \* -O2 Opaque, A/C & Heat
- T2 Tinted, A/C & Heat (Polycarbonate models)
- W2 Window, A/C & Heat (Fiberglass models)

### 2. EnviroArmour® with NEMA 3R Filter Fan

Waterproof enclosures. NEMA 3R filter fan with filter vent – 120VAC, 60Hz with thermostat. Rated UL50 Type 3R, 4, 4X, 6P, 12, IP66. Eight sizes and two door options.

- |               |              |
|---------------|--------------|
| Polycarbonate | Fiberglass   |
| EP161409-*    | EF141208-*   |
| EP181611-*    | EF161408-*   |
| EP201608-*    | EF181610-*   |
| EP242410-*    | EF201610-*   |
| * -O3 Opaque  | * -O3 Opaque |
| -T3 Window    | -W3 Window   |

### 3. EnviroArmour® with Power Distribution

Waterproof enclosures. Available with cable glands, thermostat, fan and filter, drain vent, AC and more. Three sizes.

- EP181611-\*
- EP201608-\*
- EP242410-\*
- EP242410-O6
- \*- O4 Power Dist. & 2 Cable Glands
- \*- O5 Power Dist., Thermo, Fan & Filter, 2 Cable Glands, Drain Vent
- O6 Power Dist., AC & 2 Cable Glands





opaque door



window door

1



opaque door



tinted door

2



3



NEMA 4X

### 1. Waterproof Fiberglass EnviroArmour® Enclosures

Non-metallic multipurpose lockable fiberglass enclosures help guard against vandalism, dirt, dust and grime. Has a removable opaque or window door. 11 sizes to choose from.

EF060604	EF141206
EF080604	EF141208
EF080804	EF161408
EF100806	EF181610
EF121006	EF201610
EN483612-W*	

Add -O for opaque, -W for window  
\* -O not available

Part #s = Dimensions

### 2. Waterproof Polycarbonate EnviroArmour® Enclosures

Non-metallic multipurpose lockable polycarbonate enclosures help guard against vandalism, dirt, dust and grime. Has a removable opaque or tinted door. 13 sizes to choose from.

EP060605	EP141207
EP080605	EP161409
EP080805	EP181604
EP100806	EP181611
EP100807	EP201608
EP101006	EP242410
EP121007	

9

### 3. EnviroArmour® Fiberglass NEMA

Waterproof enclosures. NEMA (UL508A, UL50 & UL50E) 1, 3, 3R, 4X, 12, IP66. Resistant to chemical agents. Lockable stainless steel hinged door.

EN483612-W
With Window
EN483612-W2
With Window, AC/Heat





1



2



3



4

### EnviroArmour® Accessories

For use with fiberglass or polycarbonate enclosures.

Heater/AC, panels, thermostats, vents, hygrometers, filter fans, pole mount brackets and more.

### 1. Temperature Control

A range of heaters and thermostats available.

### 2. Mounting Panels

Aluminum, fiberglass or polycarbonate panels with brackets for height variance and swing options.

### 3. Pole Mount Kits

Kits allow EnviroArmour Enclosures to mount to poles.

STI-PMK0608  
STI-PMK1012  
STI-PMK1416  
STI-PMK1824

### 4. Vents

Small and large vents for fiberglass and polycarbonate enclosures.

KIT-REV60 Small  
KIT-REV80 Large



## ENCLOSURES

# Environmental Enclosures

### DESIGN

Protective enclosure with heat. Protects a wide range of devices, components and sensitive units from vandalism and accidental damage as well as weather, dirt, dust and grime.



### INSTALLATION

Several mounting options available. With or without lock. Mounting hardware and gaskets included.

### ELECTRONICS

With or without heat and AC. Heater offers three thermostats. Radiant heat plate prevents LCD from becoming sluggish or freezing. Operates on 12, 16.5, or 24 VAC/VDC.

### CONSTRUCTION

Tough, clear UV-stabilized polycarbonate material. Powder coated metal helps protect against corrosion.

With STI's environmental enclosures you can reduce costly equipment replacement and repairs, and assure operation of important devices.



FIRE &  
SAFETY

ENCLOSURES

WIRE  
GUARDS

BUTTONS &  
SWITCHES

WIRELESS  
PRODUCTS

ALARMS &  
ALERTS



1



2



3



4

Distributed by  
[www.Ameraproducts.com](http://www.Ameraproducts.com)  
 Phone: (800) 608-6548  
 Fax: (409) 840-3545  
[info@ameraproducts.com](mailto:info@ameraproducts.com)



5

### 1. Metal Protective Enclosure

Heavy-duty metal enclosure with AC/heat.

*EM362408WA  
 AC/Heat, Window*

*EM362408A  
 AC/Heat, No Window*

*EM243608A1  
 AC/Heat, No Window  
 Horizontal Mount*

### 2. Heated Polycarbonate Enclosure

Tough polycarbonate enclosure with heat.

*STI-7520-HTR  
 Key Lock*

*STI-7521-HTR  
 Thumb Lock*

### 3. Heated Polycarbonate Enclosure

Tough polycarbonate enclosure with heat.

*STI-7510A-HTR  
 Key Lock, Encl. Deep Back Box*

*STI-7510F-HTR  
 Key Lock, Encl. Back Box*

*Thumb Lock Models Available*

### 4. Stopper II® Heated Enclosure

Enclosure protects devices where temperatures or environmental conditions exceed operating range.

*STI-1200A-HTR  
 Heated Enclosure, 110 VAC*

*STI-1200A-HTR240  
 Heated Enclosure, 240 VAC*

### 5. Stopper® Dome Heated Enclosure

Type 4X environmental enclosure with heater for strobes only.

*STI-1229HTR  
 110 VAC*

*STI-1229HTR240  
 240 VAC*

## ENCLOSURES

# Universal Stoppers<sup>®</sup>



### DESIGN

Protective cover with or without horn. Prevents malicious or accidental damage to manual pull stations, electrical switches and the like.

### INSTALLATION

Quick and easy protection in minutes. Can accommodate flush or surface mount applications. Gaskets included.

### ELECTRONICS

95/105 dB self-contained alarm draws immediate attention to the area. Available with or without horn, powered by an included battery.

### CONSTRUCTION

Tough, clear UV-stabilized polycarbonate material. Housing can take the severest knocks preventing vandalism or accidental damage to the manual pull station.



Indoor/outdoor polycarbonate cover helps prevent malicious or accidental damage to manual pull stations, electrical switches and more. It is ideal for public buildings of almost any kind.





1



2



3



4



### 1. Universal Stopper®

Tough indoor/outdoor dome polycarbonate cover protects devices. Available in five colors, with or without label, internal sounder, multiple mounting options.

*STI-13000 Series*  
See website for details

### 2. Universal Stopper® Flat Low Profile

Tough indoor/outdoor low profile polycarbonate cover protects devices. Available in five colors, with or without label, internal sounder, flashes, multiple mounting options.

*STI-14000 Series*  
See website for details

### 3. Universal Stopper® Dome

Tough indoor/outdoor dome clear polycarbonate cover protects devices.

*STI-13000NC*  
Flush Mount

*STI-13200NC*  
Surface Mount

*STI-13300NC*  
Enclosed Flush Back Box

### 4. Universal Stopper® Flat Low Profile

Tough indoor/outdoor low profile polycarbonate cover protects devices.

*STI-14000NC*  
Flush Mount

*STI-14200NC*  
Surface Mount

*STI-14300NC*  
Enclosed Flush Back Box



## ENCLOSURES

# Polycarbonate & Metal Enclosures

### DESIGN

Helps protect a wide range of devices from vandalism and accidental damage while still allowing them to be accessible.



### ELECTRONICS

Select models available with a choice of alarm.

### INSTALLATION

Several mounting options available. With or without lock. Most models include mounting hardware.

### CONSTRUCTION

Tough, clear UV-stabilized polycarbonate material.

With STI's polycarbonate protectors, you can reduce costly equipment replacement and repairs, and assure operation of important safety and security devices.



FIRE &  
SAFETY

ENCLOSURES

WIRE  
GUARDS

BUTTONS &  
SWITCHES

WIRELESS  
PRODUCTS

ALARMS &  
ALERTS



1



2



3



4



5



### 1. Polycarbonate Enclosures

Polycarbonate cover protects against vandalism and accidental damage. Clear or white polycarbonate.

STI-7730  
Enclosed Back Box, Gasket, Lock

STI-7700  
Open Back Box

STI-7710  
Open Back Box, Lock

### 2. Polycarbonate Enclosure

Multipurpose lockable enclosure with six back box options. Clear or white polycarbonate.

STI-7510A-F  
Several Surface and Flush Mount  
Options: Enclosed Deep Back Box, Open Back Box, Open Conduit Back Box, and more.

### 3. Type 4X Protective Enclosure

Multipurpose lockable cabinet protects fire alarm controls and more against abuse and the environment.

STI-7520  
Key Lock

STI-7521  
Thumb Lock

### 4. Metal Protective Enclosure

For electrical and electronic equipment. Provides protection from hazardous parts.

STI-EM07123.5  
STI-EM08073.5  
STI-EM111103  
STI-EM111504  
STI-EM121204  
STI-EM151804  
EM1212DOC

### 5. Type 4 Metal Protective Enclosure

For electrical and electronic equipment. Provides protection from hazardous parts.

EM362408W  
With Window

EM362408  
No Window





### 1. MED Protective Cabinet

Clear polycarbonate cabinet for remote MED units requiring physical protection.

*STI-7535MED*  
Thumb Lock, Siren/Strobe

*STI-7531MED*  
Thumb Lock



### 2. Bopper Stopper®

Cover with spring loaded hinge protects everything from electrical outlets to push buttons. Fits single-gang appliances.

*STI-6518*  
Polycarbonate Cover



### 3. Single-Gang Protective Cover

Hinged polycarbonate cover has mounting plate molded into frame.

*STI-6519*  
Polycarbonate Cover



### 4. LED Display Cover

Vacuum formed from PETg, food grade and chemical resistant material, this cover is designed to protect LED displays and more.

*VFC01*  
Vacuum Formed Cover

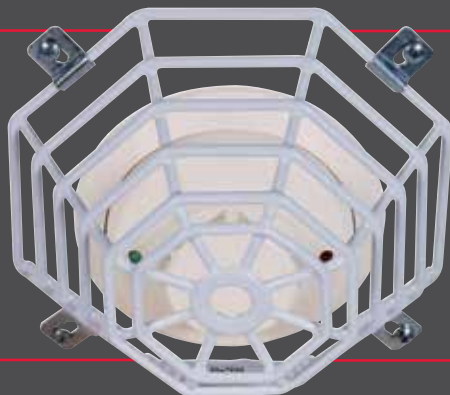


## WIRE GUARDS

# Steel Web Stoppers®

### DESIGN

These steel cages are designed to protect devices from vandalism and misuse. Designed so there is no interference with the operation of the protected unit.



### OPTIONS

Designed for flush or surface mount applications. Where additional security is required from theft or misuse, tamper resistant bits are available.

### INSTALLATION

Quick and easy installation, can retrofit and protect units within minutes.

### CONSTRUCTION

Constructed of 9-gauge steel wire with corrosion resistant polyester coating or 9-gauge stainless steel wire.

These heavy-duty steel cages are designed to protect smoke detectors, PIRs, exit signs and more from vandalism and misuse, while leaving the devices fully accessible and operational.



FIRE &  
SAFETY

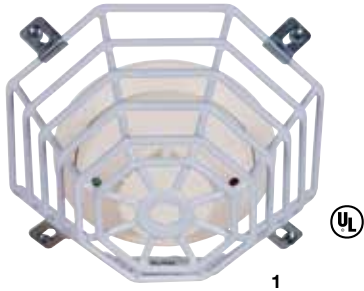
ENCLOSURES

WIRE  
GUARDS

BUTTONS &  
SWITCHES

WIRELESS  
PRODUCTS

ALARMS &  
ALERTS



1



2



3



4



5



**1. Steel Web Stopper®**

Steel wire guard helps protect smoke detectors where abuse is severe. Six sizes available.

STI-9604  
Flush

STI-9605  
Surface

See website for other sizes.

**2. Beam Smoke Damage Stopper®**

Protects costly sensor units of beam type smoke detectors from damage leading to misalignment.

STI-9706  
Flush Mount

STI-9707  
Surface Mount

**3. Steel Web Stopper®**

Steel wire guard protects photoelectric smoke detectors from abuse and damage.

STI-9712  
For Photoelectric Smoke Detector, Surface Mount

STI-9713  
Flush Mount, UL Listed

**4. Smoke Detector Damage Stopper®**

Heavy-duty steel cover for smoke detectors where abuse is severe.

STI-8200-W  
Flush, Coated Steel

STI-8230-W  
Surface, Coated Steel

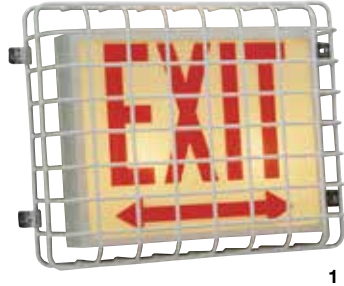
Stainless Steel also available.

**5. Smoke Detector Damage Stopper®**

Tough polycarbonate cover extremely effective in reducing malfunctions to smoke detectors where abuse is severe. Available in smoke, white and clear.

STI-8100  
Flush Mount

STI-8130  
Surface Mount



1



2



3



4



5

### 1. Exit Sign Damage Stopper®

Protects a wide range of exit signs from vandalism and damage.

STI-9640

Small

STI-9740

Large

STI-9742

Wall Mount

### 2. Clock/Bell Damage Stopper®

Highly recommended for gymnasiums and other areas where abuse is severe.

STI-9635

14.25" Diameter

STI-9636

20.75" Diameter

STI-9637

26.75" Diameter

### 3. Wire Guard Damage Stopper®

Designed to protect a wide variety of devices from vandalism and damage.

STI-9729

Small

STI-9730

Large

### 4. Light Damage Stopper®

Protects outdoor lights where vandalism and damage are prevalent.

STI-9703

9-gauge Steel Wire Guard

### 5. Motion Detector Damage Stopper®

Protects PIRs from vandalism and accidental damage.

STI-9620

9-gauge Steel Wire Guard

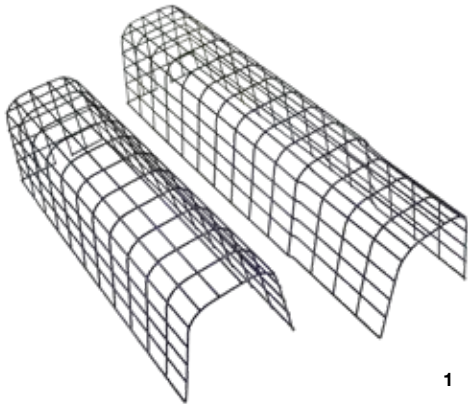
STI-9621

9-gauge Steel Wire Guard

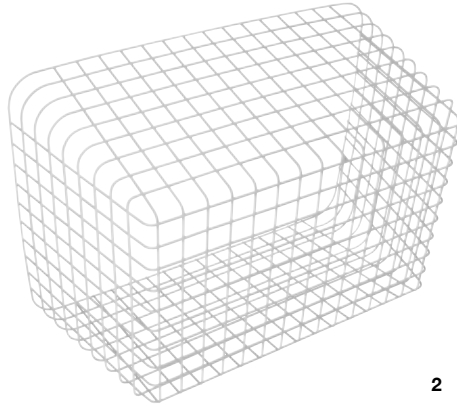
STI-9622

9-gauge Steel Wire Guard

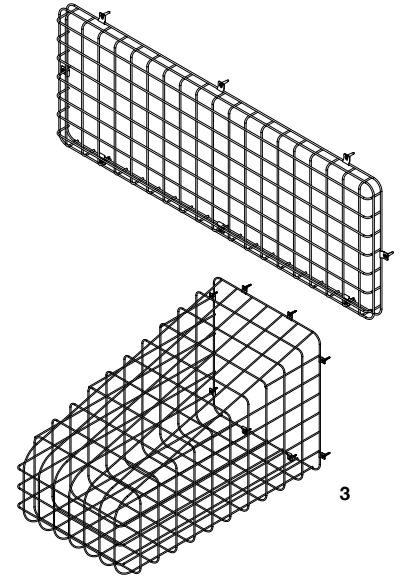




1



2



3

### 1. Expandable Wire Guard

Multipurpose wire cage constructed of 9-gauge steel wire with black polyester coating. Designed to protect tower speakers, light fixtures and other appliances from vandalism and accidental damage. Expandable from 63 to 75" length.

STI-101075

### 2. Speaker Wire Guards

Cages help protect speakers from theft, damage, and vandalism. Constructed of 9-gauge steel wire, they take tough knocks in stride.

STI-282121

STI-241416

### 3. Custom Wire Guards

Protect appliances from vandalism and accidental damage. Available in stainless steel or corrosion resistant polyester coated steel wire.

Contact our sales department to assist in developing custom wire cages to your specifications. Previous custom guards include protection for: windows, cameras, speakers, lights, signs and more.



## BUTTONS & SWITCHES

# Stopper<sup>®</sup> Stations

### DESIGN

Incorporates a unique, patented design that helps dramatically stop accidental activation.



### INSTALLATION

5VA flammability rating on backplate and spacer.

### ELECTRONICS

Multiple button functions available:

Key-to-Reset, Momentary, Turn-to-Reset, Pneumatic, Key-to-Activate, Weather

Three 12-24 volt LED color indicators.

### CONSTRUCTION

Station housing molded of tough polycarbonate. Stainless steel backplate.



ADA Compliant multipurpose buttons/switches cover a wide range of applications indoors and outdoors. A number of standard models are available or STI can create custom units to meet specific needs.



FIRE &  
SAFETY

ENCLOSURES

WIRE  
GUARDS

BUTTONS &  
SWITCHES

WIRELESS  
PRODUCTS

ALARMS &  
ALERTS



1



2



3



4

### 1. Stopper® Station

ADA Compliant, multipurpose button/switch covers a wide range of applications.

*SS2042PS-EN*

*Key-to-Reset Illuminated, Red, FUEL PUMP SHUT-DOWN Label, Universal Stopper® Cover*

### 2. Weather Resistant Stopper® Station

2" button designed for indoor/outdoor use. UL/cUL Type NM rated.

*SS2307PO-EN*

*Momentary Illuminated, White, EMERGENCY POWER OFF Label*

### 3. Stopper® Station with Cover

Covers provide added protection from accidental activation or intentional damage.

*SS2229EV-EN*

*Turn-to-Reset Illuminated, Yellow, EVACUATION Label, Stopper® Station Shield*

### 4. Stopper® Station

UL/cUL Listed, ADA Compliant button/switch for multipurpose use.

*SS2505AB-EN*

*Momentary Illuminated, Orange, ABORT Label*

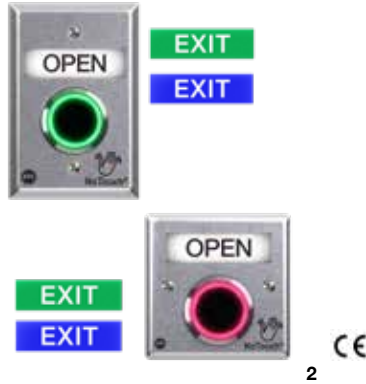


Models shown are examples. Visit our website to see over 3,000 buttons.

*Available in Spanish & French  
Wireless available*

# NoTouch® IR Switches

**Reduce Germs**



## NoTouch® IR Switches

Advanced NoTouch® infrared wave action switches are ideal for a safe hands-free, germ-free, environment. Features include 12-24VDC, 45mA max. power, adjustable detection range 1.5~6 in., relay latch .05~20 seconds, Form C (SPDT) dry contact relay, 0.5A @120VAC, 1A @24VDC, selectable red/green or green/red status LED, multiple sizes and labeling.

### 1. Stainless Steel IR Switch

Plate constructed of medical/food grade 304 stainless steel, 3 standard activation instructions: EXIT, OPEN, running/exit symbol, 4 sizes.

- NT-SS00\*-EN Slim Line
- NT-SS10\*-EN Single-Gang
- NT-SS20\* -EN Double-Gang
- NT-SS30\*-EN European Double-Gang

\*0 door symbol, 1 EXIT, 2 OPEN

### 2. Cast Aluminum IR Switch

Plate constructed of heavy-duty die cast aluminum. Includes three illuminated snap-in message plates. Two sizes: US single-gang, European single-gang.

- NT-CA100-EN
- NT-CA300-EN

### 3. Foreign Language IR Switch

All NoTouch IR Switches are available with Spanish or French labeling. Other languages available as a custom order.







1



2

### 1. Universal Button

Momentary push button offers over 300 combinations in one convenient package.

*UB-1 Universal Button Kit*

*UB-2 2" Universal Button*

*UB-1-LTUL Universal Button with Latching Timer*

*UB-2-LTUL 2" Universal Button with Latching Timer*

### 2. Universal Pneumatic Button

Pneumatic adjustable timer opens or closes a circuit and has a timed delay before reset.

*UB-1PN Pneumatic Button*

*UB-2PN 2" Pneumatic Button*

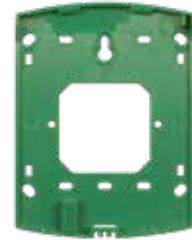




1



2



3



### 1. Global ReSet

Indoor/outdoor, latching resettable push button switch simulates break glass activation with no broken glass. When activated, indicator drops into view. Simple reset with provided key for immediate reuse. Housing available in five colors with choice of standard or custom phrases. Rated for outdoor use. Surface back box available.

### 2. Protective Covers

Several protective covers provide further defense against accidental and malicious activations, and vandalism. Available in many colors with standard or custom phrases, and with or without an optional horn and/or visual notification.

*Visit website for options*

### 3. Mounting Plate

Versatile mounting plate hole pattern fits U.S. single-gang, double-gang, 4" square electrical boxes, and European electrical box.



## WIRELESS PRODUCTS

# Wireless Chimes

### DESIGN

All chimes are compatible with each other.



### ELECTRONICS

Up to 500' operating range. Receiver plugs into 120 VAC outlet and has a low and high volume adjustment. 433 MHz.

### INSTALLATION

Quick and easy to install—no wiring needed.

### CONSTRUCTION

UL/cUL Listed, FCC and IC Certified.



Wireless chimes greet visitors with a pleasant chime and lets you know when the door opens or a person enters the detection zone. All chimes are compatible with each other.



FIRE &  
SAFETY

ENCLOSURES

WIRE  
GUARDS

BUTTONS &  
SWITCHES

WIRELESS  
PRODUCTS

ALARMS &  
ALERTS

**Longest range  
on the market**



**1. Wireless Entry Alert®**

Alerts when a door is opened. 500' operating range.

STI-3360  
Transmitter with Receiver

STI-3551  
Additional Transmitter



**2. Wireless Motion-Activated Transmitter**

Alerts when someone enters detection zone. 500' operating range.

STI-3610  
Transmitter with Receiver



**3. Wireless Doorbell Chime**

Alerts when doorbell button is pressed. 500' operating range.

STI-3350  
Transmitter with Receiver



## ALARMS & ALERTS

# Exit Stopper®

### DESIGN

Highly visible "stop sign" design acts as a deterrent. Visual and audible warning. Included label allows warning in two languages.



### INSTALLATION

May be mounted on top, right, left or next to almost any door. Unit is completely self-contained.

### ELECTRONICS

Set to sound for 30 seconds, 3 minutes or continuous 95/105 dB warning horn.

### CONSTRUCTION

Virtually indestructible polycarbonate housing.

STI's highly effective alarm can help lessen the fear of security concerns. It helps stop unauthorized exits and entries into a building, as well as theft. When activated, it flashes and emits a piercing horn.



FIRE &  
SAFETY

ENCLOSURES

WIRE  
GUARDS

BUTTONS &  
SWITCHES

WIRELESS  
PRODUCTS

ALARMS &  
ALERTS



1



2

### 1. Exit Stopper®

Highly effective multifunction door alarm flashes and alerts to any unauthorized exits or entries through protected door. Includes 21 labels to warn in a second language. Alarm can be set to sound for 30 seconds, 3 minutes, or indefinitely. May be programmed for 15 second entry delay or immediate alarm. 95/105 dB alarm when activated. Easy to install – mount on top, right, left or next to almost any door.

STI-6400 (shown)  
Multifunction Door Alarm

STI-6402  
Double Door Alarm

STI-6404  
Double Door, Remote Horn

STI-6405 (shown)  
Momentary Reset

### 2. Fire Extinguisher Theft Stopper®

Sturdy, tamperproof, self-contained alarm helps deter theft, misuse or vandalism to fire extinguishers and other equipment. It leaves the extinguisher accessible for emergencies and does not interfere with firefighting in any way. Add warning in a second language with provided labels (21 languages). 95/105 dB alarm when activated. Deactivation cable provided for maintenance.

STI-6200  
Theft Alarm





1



2



3

### 1. Round Select-Alert Siren/Strobe

Weather resistant combination of alarm and flashing LEDs. 32 siren choices and 8 flash patterns with strobe speed control. Battery option with low battery signal and an open circuit. 85/105 dB alarm, 9-24 VDC. Can be used with push buttons, protective covers and more. IP66 Projected Rating.

STI-SA5500-<sup>\*</sup>  
IP66 Projected Rating

<sup>\*</sup>Add 'A' for amber/orange, 'B' for blue, 'C' for clear (SA5500 only), 'G' for green, 'R' for red, 'W' for white

### 2. Rectangle Select-Alert Siren/Strobe

Combination of alarm and flashing LEDs. 32 siren choices, 8 flash patterns and strobe only or sounder only control. Offers lens tamper resistance, and an alarm trigger on power. 85/105 dB alarm, 12-24VDC. Can be used with push buttons, protective covers and more. IP54 Projected Rating.

STI-SA5600-<sup>\*</sup>  
IP54 Projected Rating

### 3. Select-Alert Alarm Mini Controller

Alarm and flashing LEDs alert to any unauthorized use of important devices. Offers 32 siren choices, 5 colors. Separate alarm and strobe timing. Can be used for: access control buttons, alarm with cabinet, exit strobe, and more.

STI-SA5000-<sup>\*</sup>



